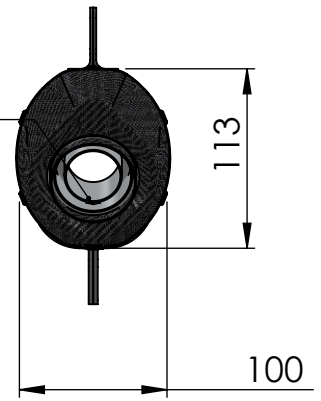


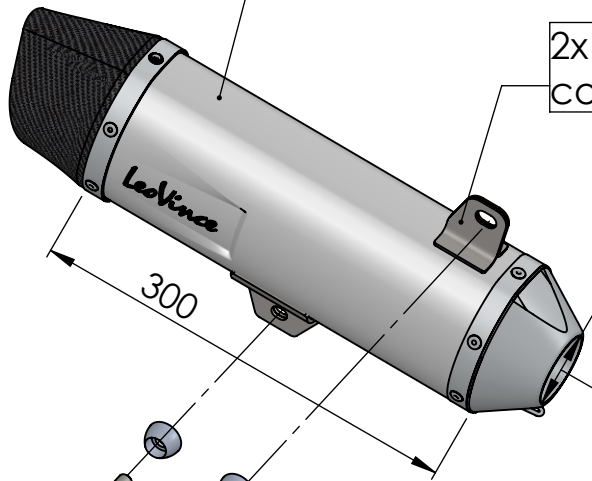
**Flange s.s. sp.6mm
"45B" cod.204392**

**Db-Killer N.63
Cod.3014225801**



**LV ONE EVO silencer RHS
stainless steel
Cod.3014359481**

**2x welded brackets
cod.206694**



**Pipe N°1356 s.s
cod.3014359201**

**Original graphite
bushing**

**Welded flange
cod.204392**

**Short helical
spring tensile
cod. 303949001**

**2x Allen screw
M10X25
T.C.E.I. Z.B.
Cod.204523**

**3x Aluminium spacer
Ø25XH12,5 X10.5
Cod. 206272**

**Allen screw M10X40x1.25
T.C.E.I. Z.B.
Cod.204109**

**TO COVER
HOLE'S FRAME**

ART.14359E

YAMAHA NMAX 125 /155

FULL SYSTEM - LV ONE EVO - STAINLESS STEEL